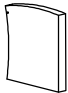
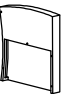
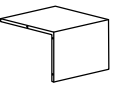

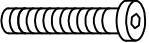
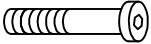
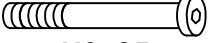



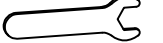


| NO. | | |
|-----|--|----|
| C1 |  | 1 |
| C2 |  | 1 |
| C3 |  | 1 |
| C4 |  | 1 |
| E1 |  M6*35 | 1 |
| E2 |  M6*50 | 8 |
| E3 |  M6*85 | 2 |
| F |  | 11 |
| G |  | 8 |
| H |  | 1 |
| I |  | 1 |

